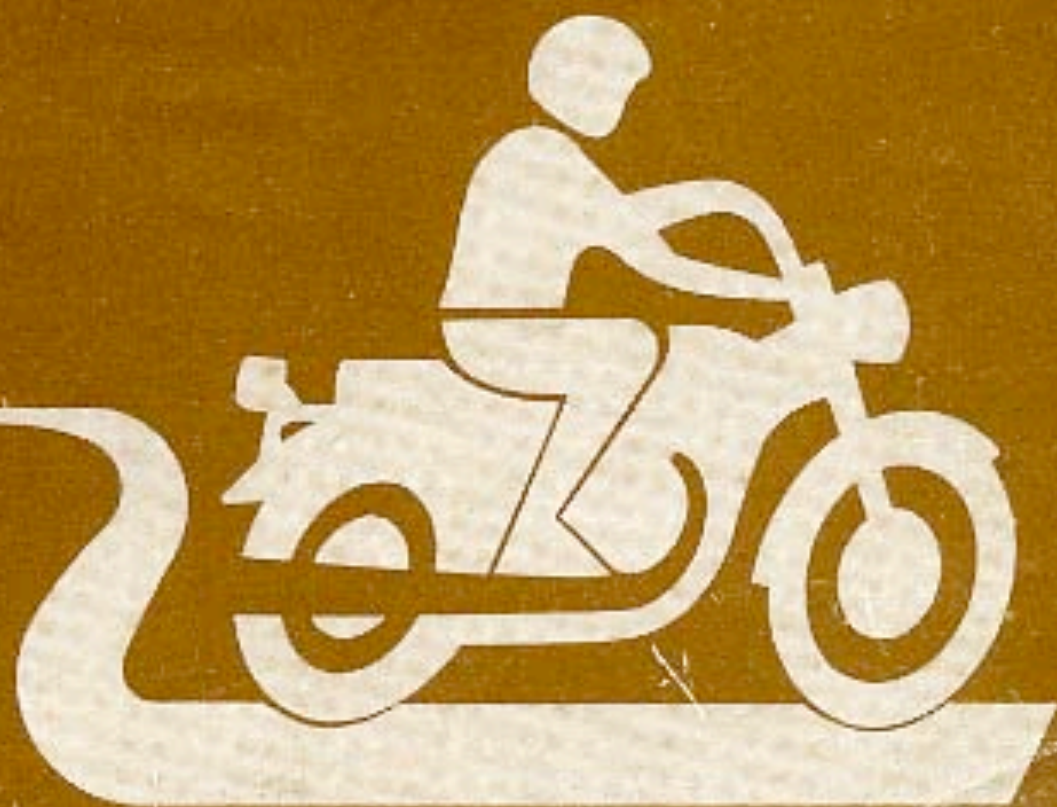


'83

OWNER'S MANUAL

HONDA PA50



READ BEFORE YOU RIDE!

© HONDA BENELUX 1982

IMPORTANT NOTICE

- **OPERATOR ONLY. NO PASSENGERS.**

This moped is designed and constructed as an operator-only model.

The seating configuration does not safely permit the carrying of a passenger.

Do not exceed the vehicle capacity load limit, (180 pounds, 82 kg), as shown on the tire information label.

- **ON-ROAD USE ONLY.**

This moped is designed and constructed for use on public streets and roads.

It is not equipped with a spark arrester and operation in forest, brush, or grass covered areas may be illegal. Obey local laws and regulations.

- **READ OWNER'S MANUAL CAREFULLY.**

All information in this publication is based on the latest product information available at the time of approval for printing. HONDA MOTOR CO., LTD. reserves the right to make changes at any time without notice and without incurring any obligation whatever.

No part of this publication may be reproduced without written permission.

PREFACE

This booklet is your guide to the basic operation and maintenance of your new moped. Please take the time to read the Owner's Manual carefully. As with any fine machine, proper care and maintenance are essential for trouble-free operation and optimum performance.

Your authorized Honda dealer will be glad to provide further information or assistance and is fully equipped to handle your future service needs.

Thank you for selecting a Honda. We wish you many miles of continued riding pleasure in the years ahead.

Pay special attention to statements preceded by the following words:

WARNING

Indicates a strong possibility of severe personal injury or loss of life if instructions are not followed.

CAUTION:

Indicates a possibility of personal injury or equipment damage if instructions are not followed.

NOTE:

Gives helpful information.

This manual should be considered a permanent part of the vehicle and should remain with the vehicle when resold.

CONTENTS

	Page		Page
TRAFFIC SAFETY	4	MAINTENANCE	27
DESCRIPTION	6	Maintenance Schedule	28
Control Location	7	Tool Kit	30
Serial Number	8	Spark Plug	31
Control Functions	9	Carburetor - Idle Speed	33
Fuel	13	Brakes	34
Tires	15	Drive Belt Adjustment	37
OPERATION	16	Drive Chain Adjustment	37
Pre-ride Inspection	16	Battery	38
Starting the Engine	17	ELECTRICAL EQUIPMENT	40
Riding	18	Headlight Replacement	40
Braking	20	Headlight Beam Adjustment	41
Shutting off the Engine	22	Taillight Bulb Replacement	42
Parking	23	Turn Signal Bulb Replacement	43
Anti-theft Tips	23	Fuse Replacement	44
Safe Riding Suggestions	24	WHEEL REMOVAL	46
Loading	25	STORAGE	50
Transporting the PA50	26	CONSUMER INFORMATION	51
		SPECIFICATIONS	52

TRAFFIC SAFETY

A moped is only as safe as its operator.

The safe rider will spend much time learning to ride and developing his riding skills in an uncongested area before venturing into traffic.

1. In many traffic accidents, the car driver does not see the moped rider in time to avoid an accident. You can make other motorists more aware of your presence by wearing brighter, more visible clothing, signaling well ahead of a turn, avoiding the blind spot of other vehicles, and riding defensively.
2. Many traffic accidents occur at intersections, parking lot entrances, exits, and driveways. Use extra caution at these locations.
3. Obey the speed limits and NEVER travel faster than conditions warrant. Avoid riding at night or slow down so you are not surprised by an obstacle suddenly appearing out of the dark.
4. Many moped traffic accidents involve inexperienced riders. A new rider should familiarize himself with his vehicle before riding on public roads. NEVER lend your moped to an inexperienced rider.

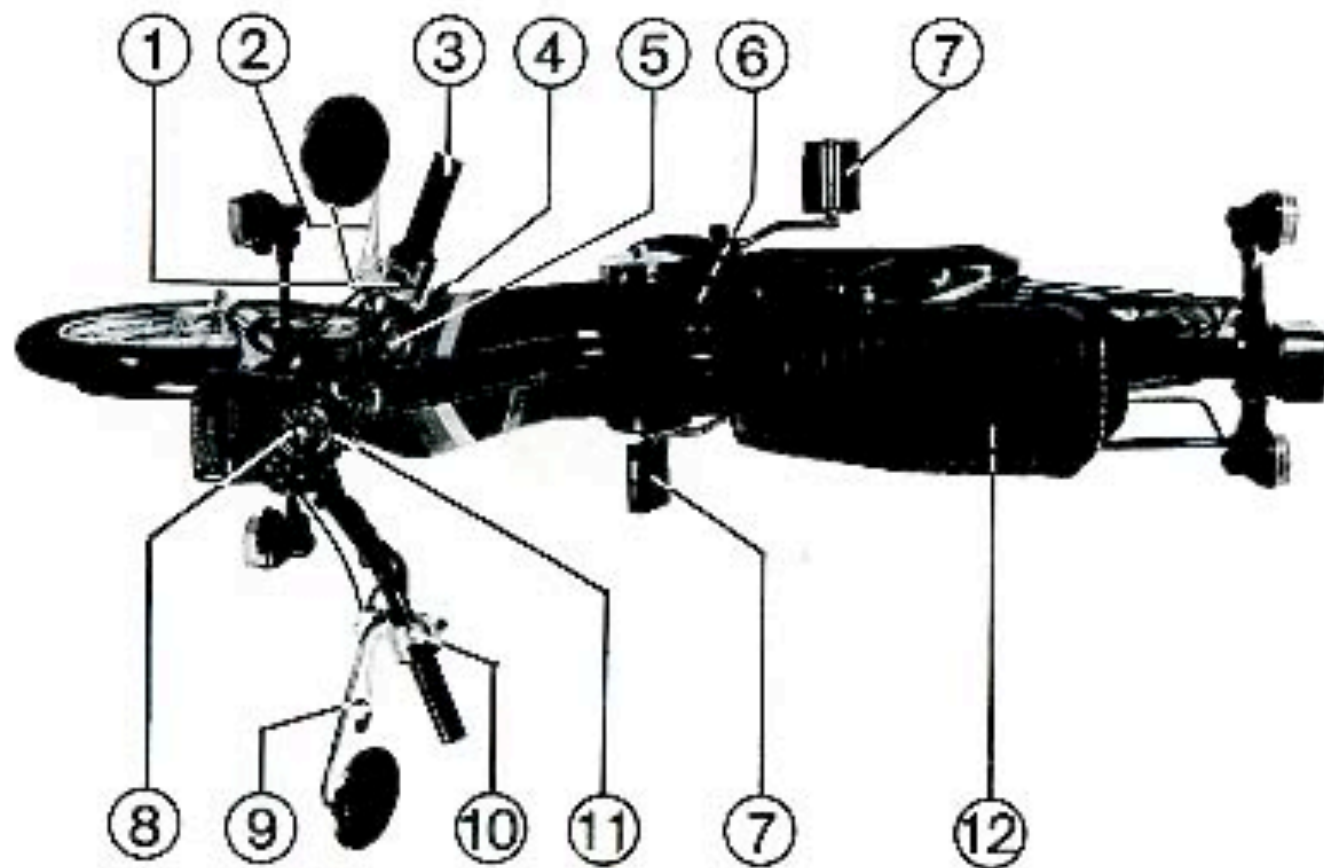
5. Most fatal moped accidents are due to head injuries. Always wear a helmet and other protective apparel, including eye protection, boots, gloves, and heavy clothing.
6. Operation on roads where other vehicles are traveling considerably faster than you are riding is not advisable.
7. Avoid hitting road hazards such as sharp bumps and holes in the road surface. These hazards can cause loss of control or damage to your moped. Watch for poor traction surfaces such as water, sand, gravel, and oil on the pavement.
8. Watch out for parked cars or you may be abruptly and painfully "stopped in your tracks."
9. Be prepared for motorists traveling in the same direction as you who misjudge your speed and turn right in front of you.
10. When turning right with other vehicles, watch out that you are not squeezed against the curb.

DESCRIPTION

The PA50 will not exceed 30 mph on flat roads, and is intended for use in states that have a top speed restriction of 30 mph.

Control Location

1. Engine stop switch
2. Front brake lever
3. Throttle grip
4. Decompression lever
5. Fuel tank cap (Pre-mix only)
6. Choke
7. Pedals
8. Speedometer
9. Rear brake lever
10. Headlight dimmer switch (above)
Turn signal switch (center)
Horn button (below)
11. Ignition switch
12. Engine / pedal power selector



Serial Numbers

These serial numbers are required when registering the vehicle.

Refer to frame and engine numbers when ordering replacement parts to ensure that you will obtain the correct part.

Record the numbers here for your reference.

Vin and Frame Number

The vehicle identification number is on the right side of the steering head. This number is the same as the frame number stamped on the right side of the frame, beneath the seat.

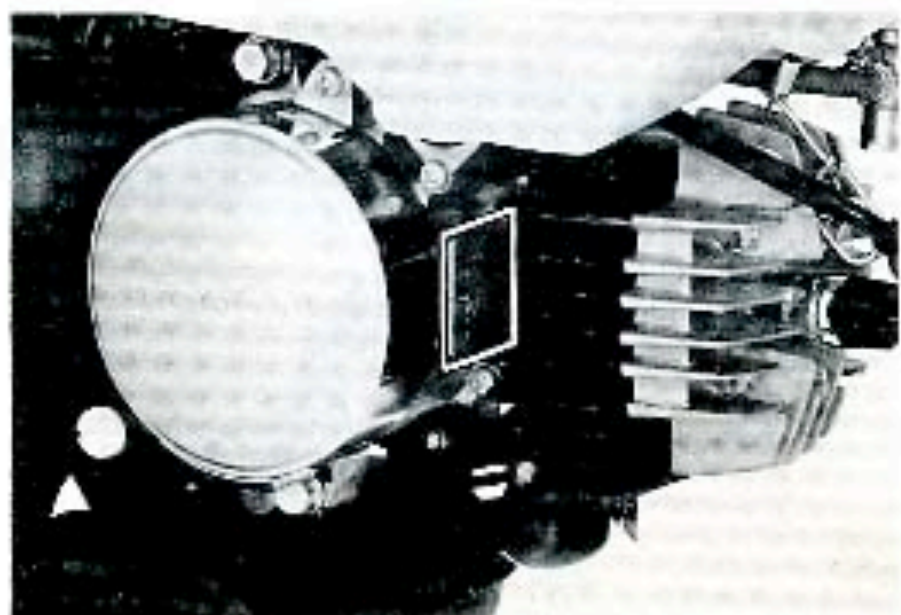
VIN

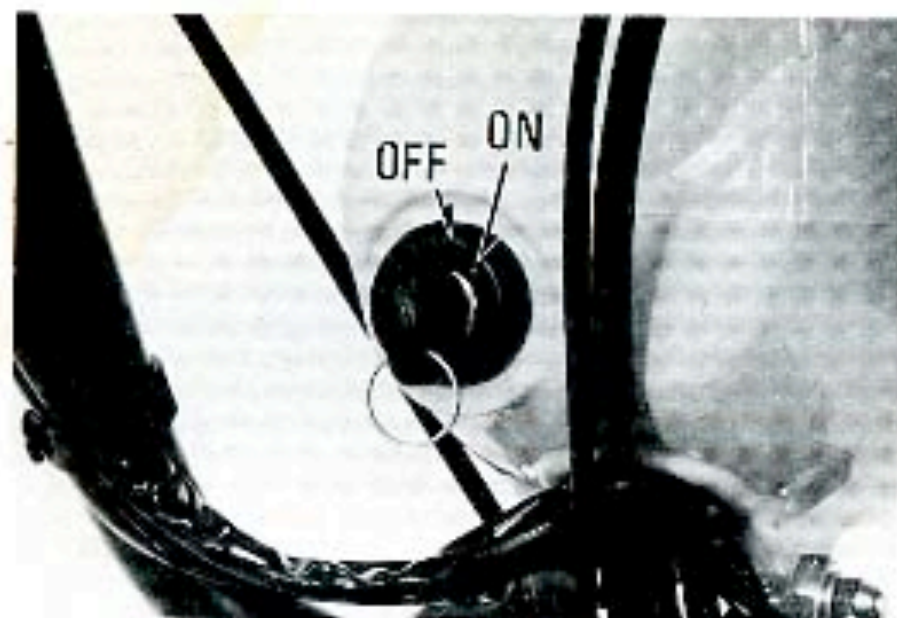
FRAME N°

Engine Number

The engine number is stamped on the right side of the crankcase near the generator cover.

ENGINE N°

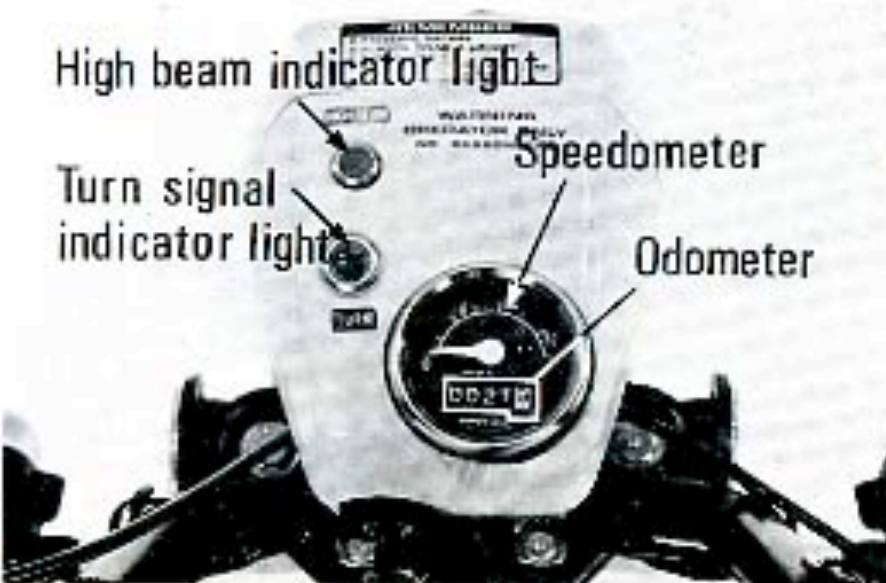




Control Functions

Ignition Switch

- OFF — Engine cannot be started
Key can be removed.
- ON — Engine can be started
Key cannot be removed
Speedometer light and taillight will be on.
Headlight will be on when the engine is running.



Speedometer

Indicates riding speed.

High beam indicator light

Light will be on when headlight is on high beam.

Turn signal indicator light

Flashes when either turn signal operates.

Odometer

Indicates total accumulated mileage.

Engine Stop Switch

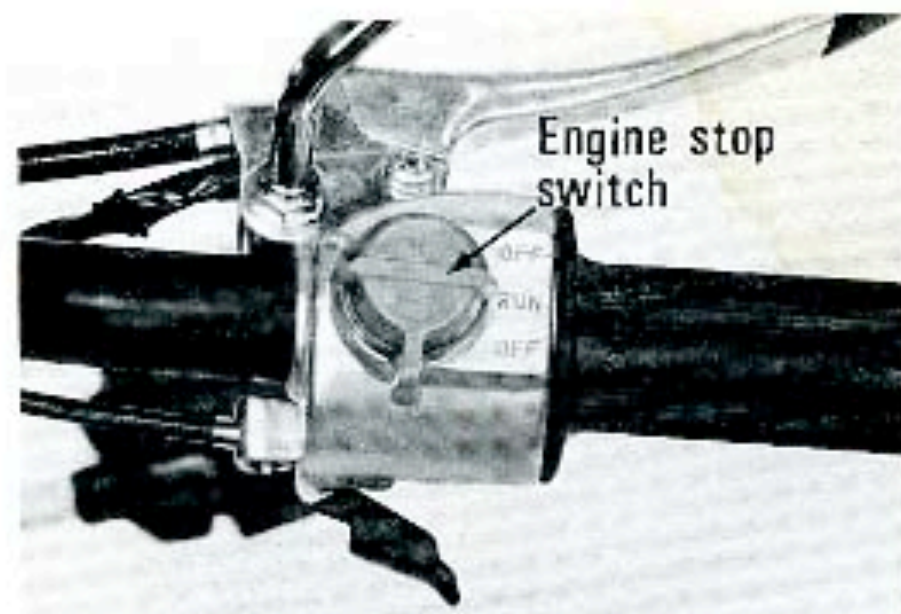
RUN — Engine will operate.

OFF — Engine will not operate.

This switch is intended primarily as a safety or emergency switch and should normally remain at RUN.

NOTE:

* If your motorcycle is stopped with the ignition switch on and the engine stop switch off, the taillight and speedometer light will still be on, resulting in battery discharge.



Headlight Dimmer Switch

HI — The high beam is on.

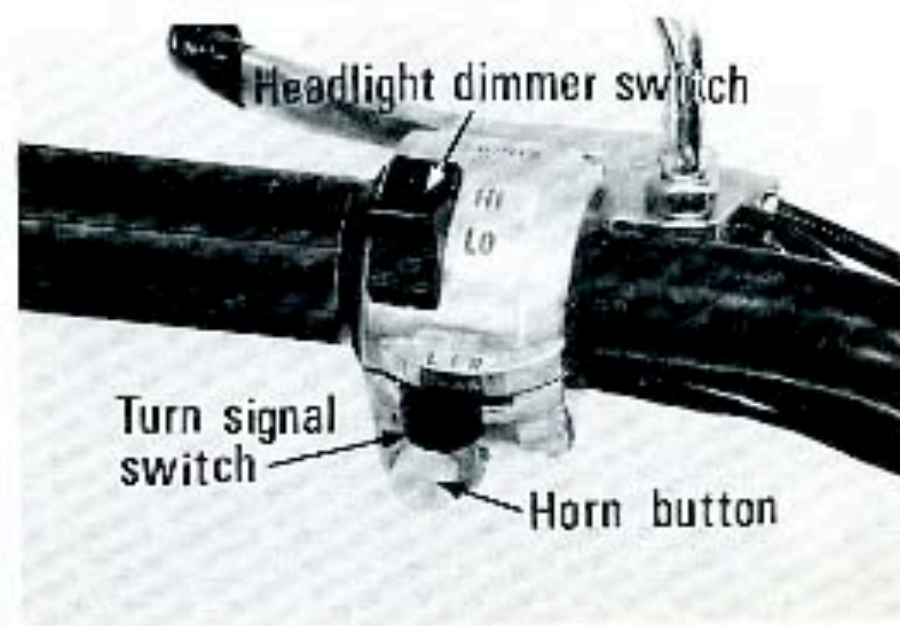
LO — The low beam is on.

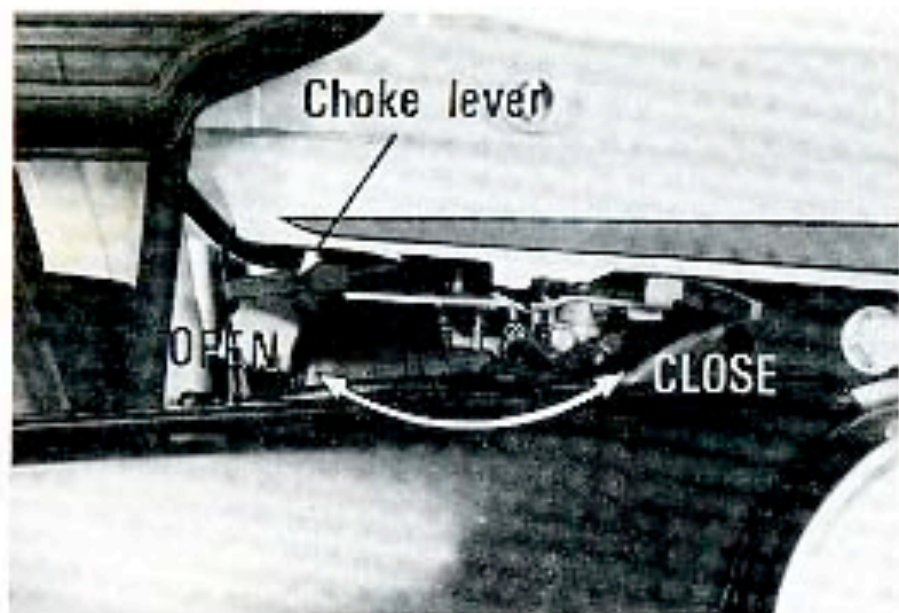
Turn Signal Switch

Move to L to signal a left turn. R to signal a right turn. Return to the center (off) position when finished.

Horn Button

When the horn button is pressed the horn will sound.





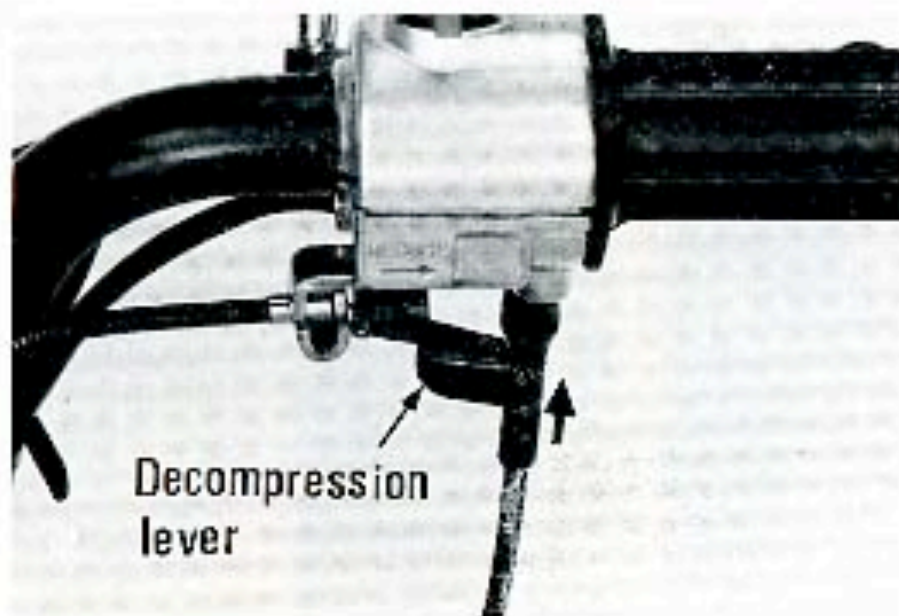
Choke

The choke is under the plastic engine cover. Move the lever to CLOSE to start the engine.

NOTE:

Be sure the choke lever is securely locked in CLOSE. If it isn't, it will automatically return to OPEN.

Opening the throttle all the way will automatically open the choke. Use of the choke is unnecessary when restarting a warm engine.



Decompression Lever

The decompression lever is next to the throttle grip. The lever releases pressure from the cylinder to help engine starting.

NOTE:

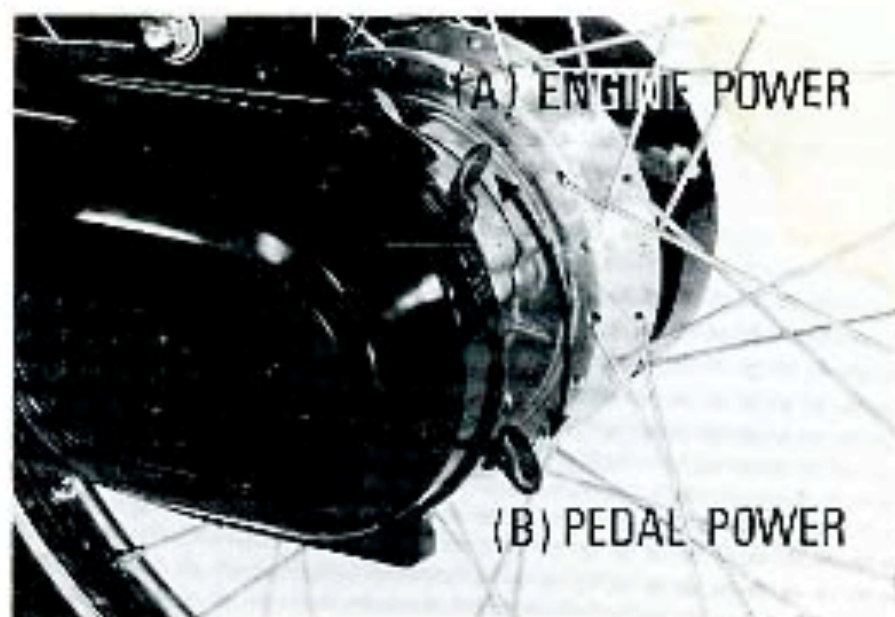
The engine will stop if the decompression lever is depressed during operation.

Engine / Pedal Power Selector

The engine / pedal power selector is at the left side of the rear wheel hub. Push the lever all the way down (B) to pedal the machine like a bicycle. Pull the lever all the way up (A) to use engine power.

CAUTION:

- * Always stop the engine before shifting the lever to prevent gear damage.



Fuel Valve

ON — Set the valve to ON when riding.

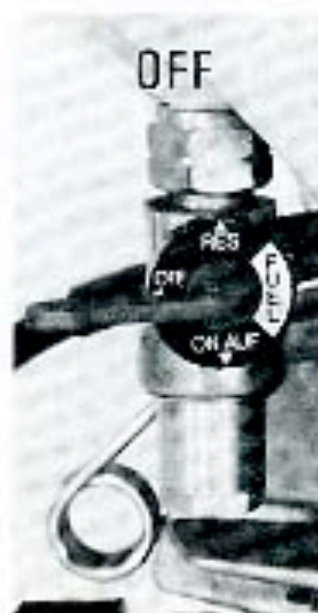
OFF — Set the valve to OFF whenever the motorcycle is not in use.

RES — Set the valve to RES only after the main fuel supply has been consumed.

Reserve fuel capacity: 0,6 liter (0.16 US gal)

NOTE:

- * Do not operate the machine with the fuel valve in the reserve position after refueling. You may run out of fuel with no reserve fuel supply.



FUEL

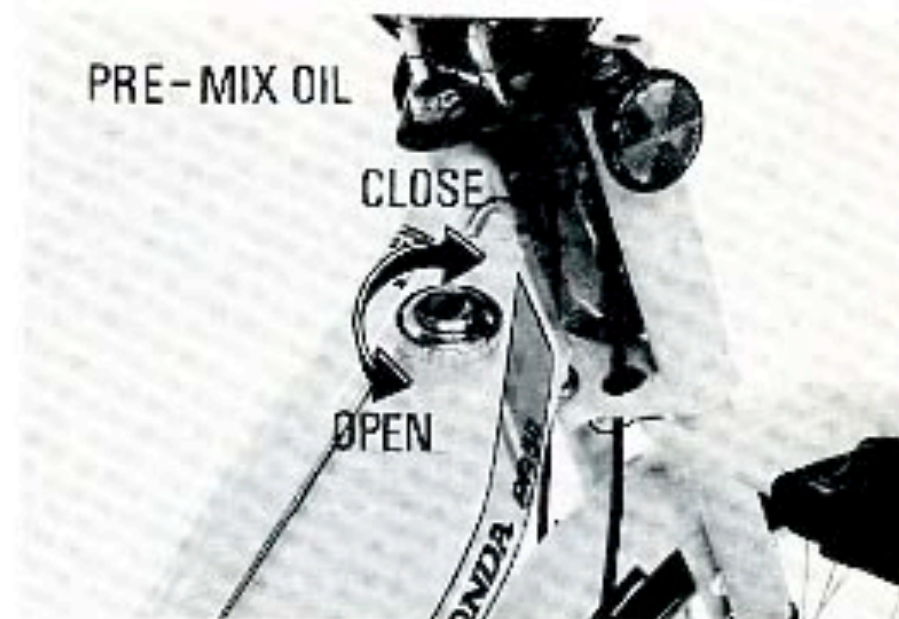
Fuel Level - Check fuel level and fill the fuel tank if low.

- CAPACITY: 3.0 liter (0.79 US gal)
- GASOLINE: Use unleaded gasoline only
- OIL: Use HONDA 2 STROKE MOTORCYCLE OIL or its equivalent. Do not use detergent oils.
- MIXING: Mix gasoline and oil in a suitable container before filling the tank.

Premix gasoline and oil in the ratio of 25 : 1. The ratios are shown in the chart below. The filler cap is a measuring cup for oil

OIL		GAS
oz.	cc.	Gal.
1	30	.2
2	60	.4
3	90	.6
4	120	.8
5	150	1.0
8	240	1.6
16	480	3.1

PRE-MIX OIL



REAR BRAKE



CAUTION

- * *Use unleaded gasoline only. Leaded gasoline will cause spark plug fouling. HONDA 2 STROKE MOTORCYCLE OIL or its equivalent is recommended for this engine. Use of non-equivalent oils may cause excessive carbon build-up in the engine and exhaust system, resulting in loss of power and possible engine damage.*
- * *Excessive oil will cause smoking and spark plug fouling. Too little oil will cause engine damage or premature wear.*

- * *Gasoline is extremely flammable and is explosive under certain conditions. Refuel in a well ventilated area with the engine stopped. Do not smoke or allow flames or sparks in the area where the moped is refueled or where gasoline is stored.*
- * *Do not overfill the tank (there should be no fuel in the filler neck). After refueling, make sure the tank cap is closed securely.*
- * *Gasoline is harmful or fatal if swallowed. Avoid repeated or prolonged contact with skin or breathing of vapor. KEEP OUT OF REACH OF CHILDREN. If gasoline is swallowed, do not induce vomiting. Call a physician immediately.*

TIRES

Tire Pressure - Check tire pressure and inflate to recommended pressure if incorrect.

Correct air pressure will provide maximum stability, riding comfort and tire life. Check tire pressures frequently and adjust if necessary.

Follow these specifications when selecting tires.

Cold tire pressures Psi (kPa, kg/cm ²)	Front: 28 (200, 2.0) Rear: 36 (250, 2.5)
Vehicle capacity load	82 kg (180 lbs)
Tire size	Front: 2.25 — 17 — (A) Rear: 2.25 — 17 — (A)

** Improper tire inflation will cause abnormal tread wear or other damage and create a safety hazard. Underinflation may cause the tires to slip on, or come off of the rims.*

** It is recommended that the tires be replaced when the tread depth at the center of the tire is less than the following limit.*

Minimum recommended tire center tread depth	
Front:	0.8 mm (1/32 in)
Rear:	0.8 mm (1/32 in)

** Operation with excessively worn tires is very hazardous and will adversely affect traction, steering and handling.*

OPERATION

Pre-ride Inspection

WARNING

** If the pre-ride inspection is not performed, serious damage or an accident may result.*

Inspect your moped every day before you start the engine. The items listed here will only take a few minutes, and in the long run they can save time, expense, and possibly your life.

1. Fuel level — Fill fuel tank when necessary (page 13). Check for leaks.
2. Front and rear brake — Check operation. Adjust free play if necessary (page 34-35).
3. Tires — Check condition and pressure (page 15).
4. Throttle — Check for smooth opening and closing in all steering positions.
5. Lights and horn — Check that headlight, tail/stoplight, turn signal lights and horn function properly.
6. Engine stop switch — Check for proper operation (page 10).

Correct any discrepancy before you ride. Contact an authorized HONDA dealer for assistance if you cannot correct the problem.

Starting the Engine

WARNING

- * *Never run the engine in a closed area. The exhaust contains poisonous carbon monoxide gas.*
- 1. Put the vehicle up on its center stand.
- 2. Check that the engine pedal selector is up for ENGINE POWER.
- 3. Turn the fuel valve ON.
- 4. Turn the ignition switch ON.
- 5. Check that the engine switch is at RUN.
- 6. Close the choke fully if the engine is cold.
- 7. Close the throttle, push the decompression lever, crank the pedals and release the decompression lever.
- 8. When the engine starts, open the throttle slightly to increase engine speed.
DO NOT open the throttle fully because it will automatically open the choke.
- 9. When the engine responds to the throttle, and idles smoothly, open the choke.

NOTE:

The PA50 may also be started on the ground by pedalling it forward until the engine starts. If you use this method, take care not to weave into traffic.

WARNING

- * *The machine is equipped with an automatic clutch which engages as engine speed is increased. Do not attempt to «blip», (rapidly open and close) the throttle, as the machine will move forward suddenly, causing possible loss of control.*
- * *The rear wheel will spin if not restrained by the brake or contact with the ground. Accidental contact with the spinning rear wheel could cause personal injury. Do not leave the vehicle unattended while engine is running.*

Riding

WARNING

- * *The exhaust pipe and muffler become very hot during operation and remain sufficiently hot to inflict burns if touched, even after shutting off the engine. Wear clothing which will completely cover the legs while riding and avoid any contact with unshielded portions of the exhaust system.*
- * *Do not wear loose clothing which may catch on control levers, pedals, wheels and tires.*

CAUTION

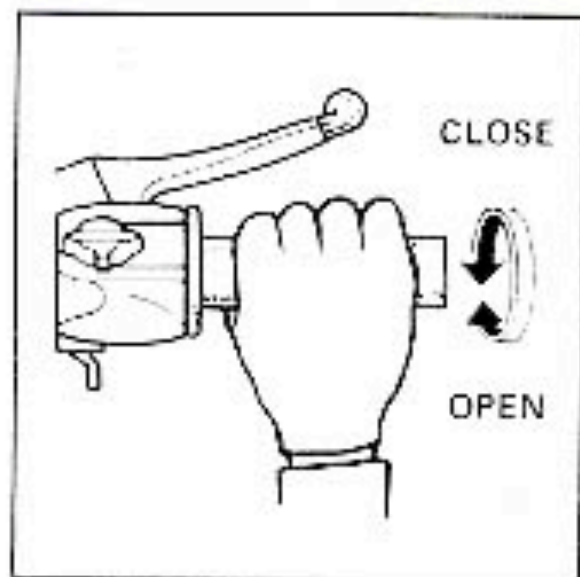
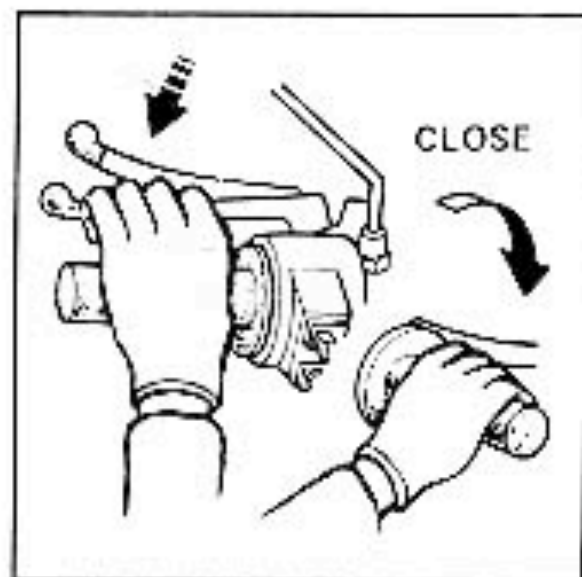
- * *When riding in wet or rainy conditions, or on loose surfaces, the ability to maneuver and stop will be reduced. All of your actions should be smooth under these conditions. Sudden acceleration, braking, or turning may cause loss of control. For your safety, exercise extreme caution when braking, accelerating or turning.*
- * *Ensure that all required equipment as specified by local laws and regulations is installed on the moped and operable before riding it on public streets.*
- * *Modification of the moped or removal of original equipment may render the vehicle unsafe or illegal.*
- * *Do not operate the PA50 with the drive chain and belt covers removed. These exposed parts could cause injury.*

Make sure the throttle is closed and the rear brake applied, then move the moped off the center stand.

WARNING

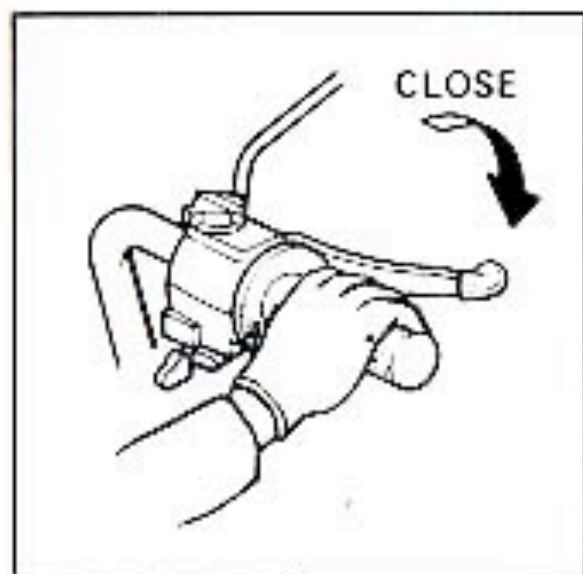
Stop the rear wheel with the rear brake before you move off the centerstand. If the wheel is spinning when it touches the ground, the machine may move forward unexpectedly, causing possible loss of control.

To accelerate, open the throttle gradually, for deceleration, close the throttle.

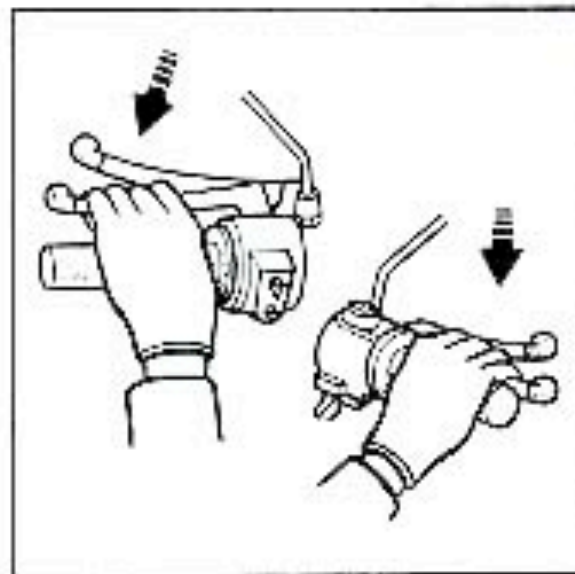


Braking

When decelerating, coordination of the throttle and the front and rear brakes is most important.



Close the throttle.



Apply both the front and rear brakes at the same time.

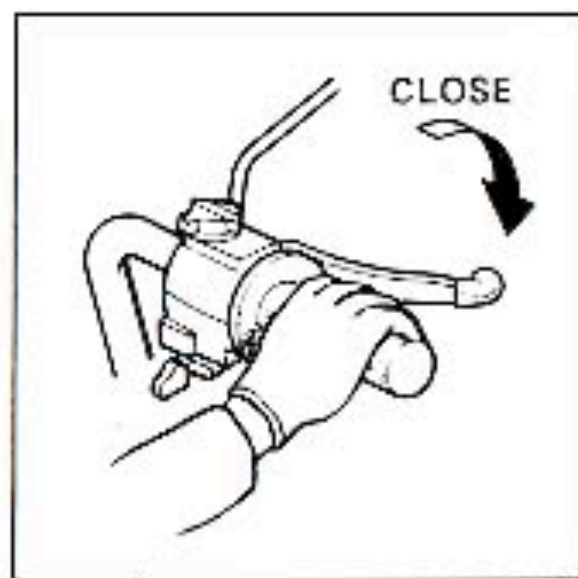
WARNING

Independent use of only the front or rear brake reduces stopping performance. Excessive brake application may cause either wheel to lock, reducing control of the vehicle.

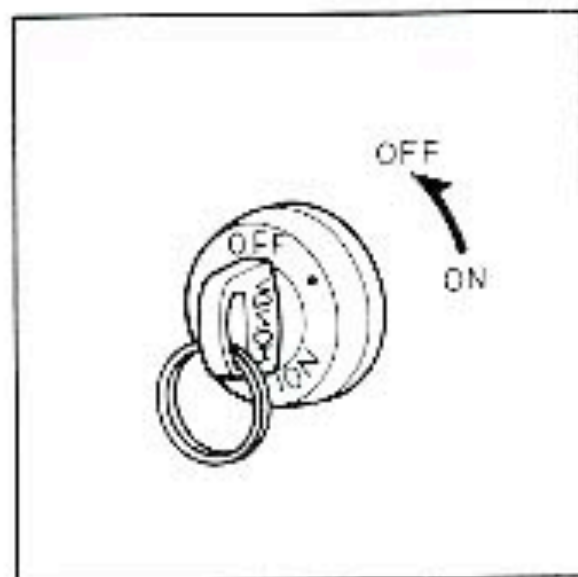
CAUTION

- * When descending a steep grade, close the throttle fully and use both brakes to slow the vehicle down. Avoid continuous use of the brakes which may result in overheating and reduction of braking efficiency.*

Shutting off the Engine



Close the throttle.



Turn the ignition key to OFF.

Parking

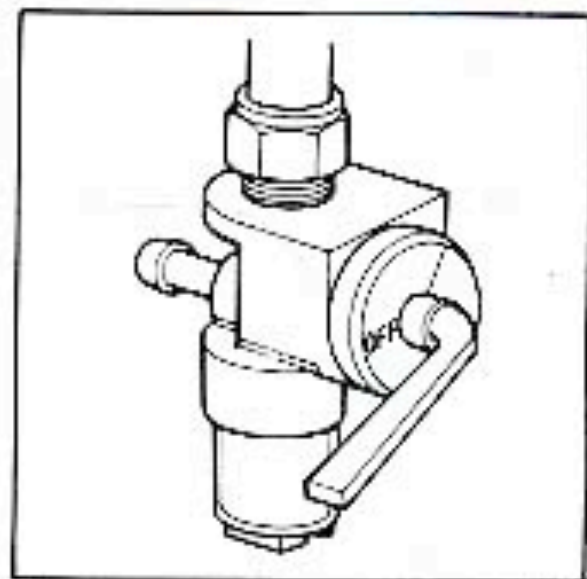
When parking the moped, turn the ignition switch OFF and remove the key. Turn the fuel valve OFF.

CAUTION

- *Turn the fuel valve OFF when parking the vehicle, to prevent possible fuel leakage and fire hazard.*
- *Park the vehicle on firm, level ground. Accidental upset could result in personal injury or damage to the moped.*

Anti-theft Tips

1. Never leave the key in the ignition switch. This sounds simple but people do forget.
2. Be sure the registration information for your moped is accurate and current.
3. Park your moped in a locked garage whenever possible.
4. Use an additional anti-theft device of good quality.



Turn the fuel valve OFF.

Safe Riding Suggestions

1. Always make a PRE-RIDE INSPECTION prior to riding your moped (page 16).
2. The rider should wear a helmet, boots, gloves and eye protection. Bright clothing should also be worn to improve rider visibility.
3. Luggage racks are primarily for light-weight items. Make sure cargo is secure and will not shift while riding. Refer to page 25 for additional information on loading.
4. Place both hands on the handlebars and both feet on the pedals when riding. Do not rest your feet on the plastic engine covers. Riding with your feet off the pedals may cause the pedals to strike the ground in a turn.
5. Obey all federal and local laws and regulations.
6. It is recommended that you become familiar with your new HONDA PA50 by riding in an uncongested area before riding on the public roadways.
7. Do not ride on the road shoulder.
8. Obey all laws that apply to motor vehicles. Ride on the RIGHT side of the road.
9. A moped is a small vehicle. Don't compete with traffic; ride defensively because other motorists may not see you.

Loading

- * The weight of accessories and cargo must be added to the weight of the rider when determining if the vehicle capacity load limit (180 lbs, 82 kg) has been exceeded. Allow 10 lbs (4.5 kg) for weight of empty baskets.
- * Overloading the vehicle or racks/baskets will adversely affect stability and handling.
- * Fasten all cargo securely and do not block the headlight.
- * Do not carry children or pets on racks or in baskets.
- * Do not carry items that protrude through the baskets.

CAUTION

- * *Do not pull the baskets when using the centerstand or basket damage may occur.*
- * *Racks/optional baskets are for light weight items.*

CAPACITY LOAD:

FRONT
7lbs(3kg)

REAR
11lbs(5kg)



Do not exceed:

FRONT	REAR
7 Lbs (3 kg)	11 lbs (5 kg) total 5.5 lbs (2.5 kg) each side

Transporting the moped

WARNING

To prevent the possibility of a fire or explosion when transporting the PA 50 always:

- drain the fuel tank and carburetor.*
- carry the vehicle upright to prevent oil and battery electrolyte from spilling.*

To drain the fuel:

WARNING

Fuel is flammable and explosive under certain conditions. Always stop the engine, and do not smoke or allow flames or sparks in the area when draining. Drain fuel only in a well-ventilated area.

- 1. Stop the engine.*
- 2. Empty the fuel tank using a commercially available siphon.*
- 3. Place the free end of the carburetor drain tube in a suitable fuel container.*
- 4. Open the carburetor drain by turning the drain screw counterclockwise. Turn the drain screw clockwise when all the fuel has drained.*

MAINTENANCE

Maintenance Schedule.

The mileage intervals shown in the MAINTENANCE SCHEDULE are intended as a guide for regular maintenance.

If your moped is overturned or involved in a collision, have your Honda dealer inspect the major components; frame, suspension and steering parts for misalignment or damage.

CAUTION

- * *Stop the engine and support the moped securely on a level surface before performing any maintenance.*
- * *Use new genuine HONDA parts or their equivalent for maintenance and repair. Parts which are not of equivalent quality may impair the safety and operation of your moped.*

MAINTENANCE SCHEDULE This maintenance schedule is based upon average riding conditions. Machines subjected to severe use, or ridden in unusually dusty areas, require more frequent servicing.	PRE-RIDE INSPECTION	INITIAL SAFETY INSPECTION	REGULAR SERVICE PERIOD Perform at every indicated month or mileage interval, whichever occurs first.	
		1 month 200 miles (300 km)	12 month 1.000 miles (1.500 km)	24 month 2.000 miles (3.000 km)
*TIRES AND PRESSURE	I			
*THROTTLE OPERATION	I	I	I	
WHEEL TRUENESS AND SPOKES		I	I	
NUTS, BOLTS (TIGHTEN)		I	I	
BRAKE LININGS			I	
*BATTERY FLUID LEVEL	I			
BATTERY FLUID SPECIFIC GRAVITY			I	
DRIVE BELT AND CHAIN		I	I	
*SPARK PLUG			R	

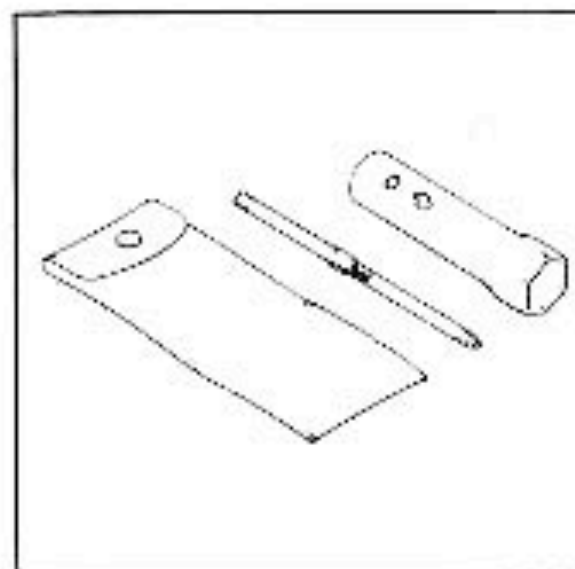
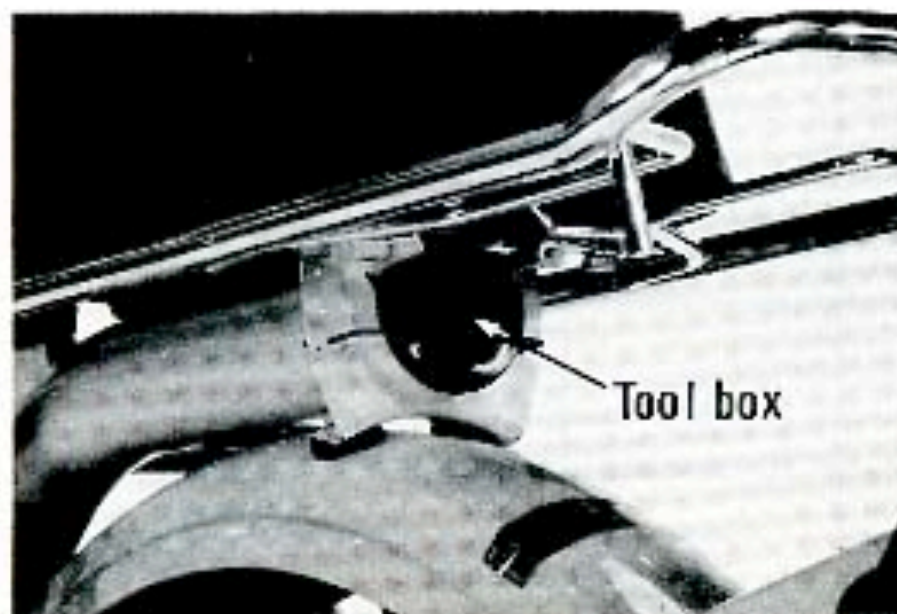
- I - Inspect and clean, adjust, lubricate, or replace if necessary
- R- Replace
- C- Clean

Tool Kit

The tool kit is stored underneath the seat and contains a spark plug wrench and screwdriver. Your PA50 is built to metric standards and the recommended adjustments and maintenance operations must be performed with metric tools.

CAUTION

* *Use of non-metric sized tools could result in damage to your PA50.*



Spark plug

Standard spark plug:

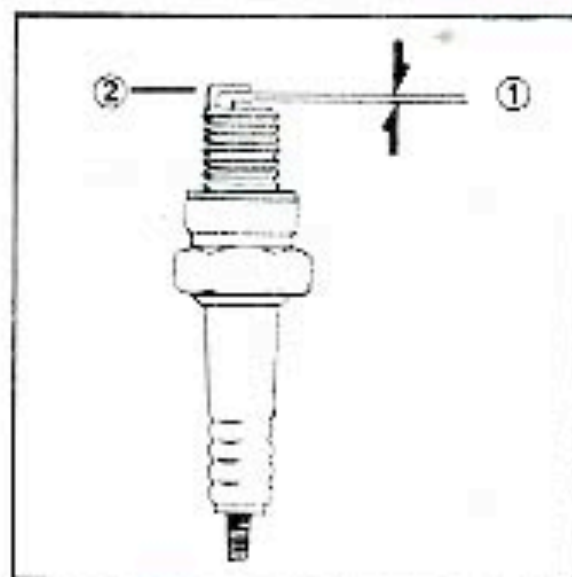
BPR 6 HS (NGK) or W 20 FPR (ND)

OPTIONAL:

BPR 5 HS (NGK) or W 16 FPR (ND)

Spark plug replacement and adjustment.

1. Pull the spark plug cap off the spark plug.
2. Clean any dirt from around the plug and remove it.
3. Visually inspect the spark plug electrodes (2). Replace a plug if the edges of the center electrode are rounded or if the side electrode is eroded. There should be few or no deposits on the electrodes.
4. Inspect the insulator for color and condition. It should be dry with the color ranging from pale white to dark tan. Replace a plug if the insulator is cracked or chipped, or if it has excessive deposits.
5. Make sure the spark plug gap (1) is 0.6-0.7 mm (0.024-0.028 in) using a wire-type feeler gauge. Adjust by carefully bending the side electrode.



6. With the plug washer attached, thread the plug in by hand until it seats.
7. Tighten a new spark plug $1/4$ to $1/2$ turn using a spark plug wrench.
Tighten a reused spark plug approximately $1/8$ turn.

CAUTION

- * *The spark plug must be securely tightened. An improperly tightened plug can become very hot and possibly cause damage to the engine.*
- * *Never use a spark plug with a heat range that is not recommended for this vehicle.*

Carburetor

Idle Speed Adjustment

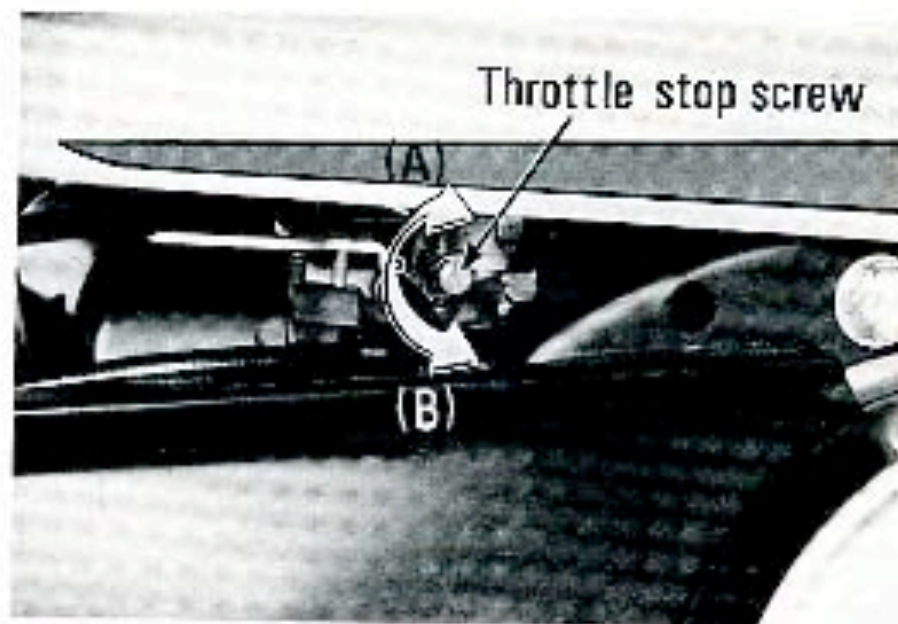
NOTE:

Before making adjustments to the carburetor, be sure the ignition system is functioning properly and the engine has good compression. Do not attempt to compensate for other faults by carburetor adjustment.

* *Never run the engine in a closed area. The exhaust contains poisonous carbon monoxide gas.*

1. Place the vehicle on the center stand.
2. Start and warm up the engine for several minutes.
3. Set the engine idle speed by adjusting the throttle stop screw. Turning the screw in direction (A) will increase the idle speed, and turning in direction (B) will decrease idle speed.

Idle Speed: 1.500 rpm.



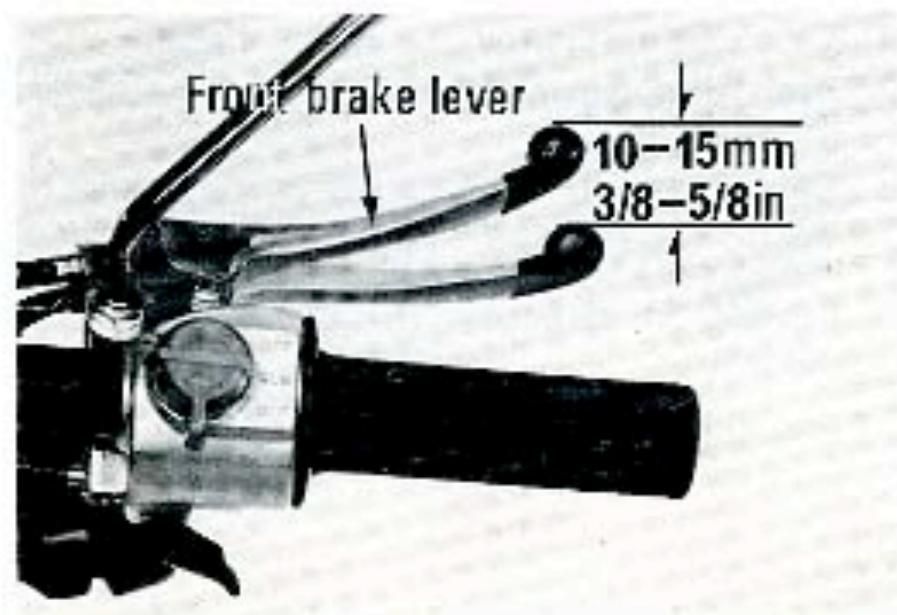
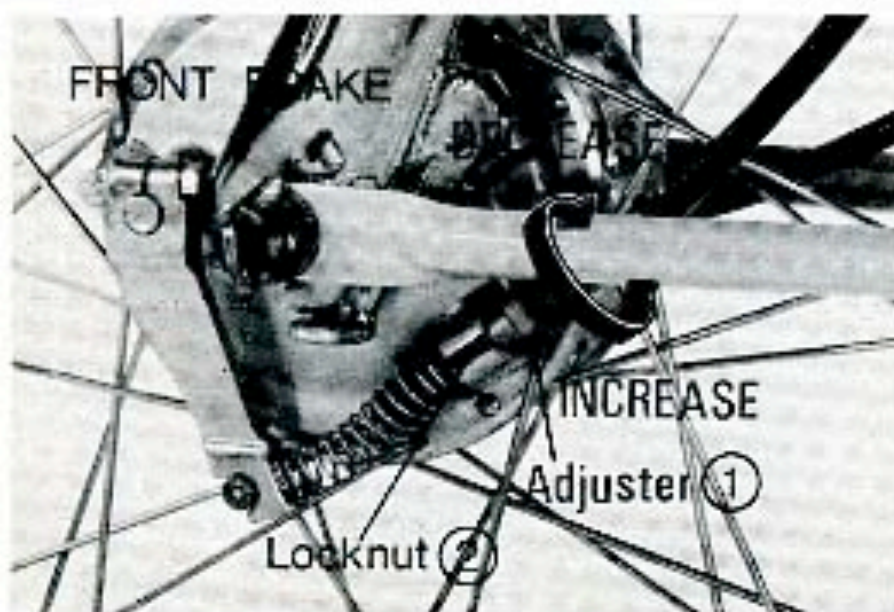
Brakes

Check front and rear brake operation and freeplay.

Freeplay is the distance the brake lever travels before the brake starts to engage.

If incorrect, adjust front brake freeplay by loosening the lock nut (2) and by turning the brake adjusting nut (1). Retighten the lock nut after adjustment.

Front brake freeplay: 10-15 mm (3/8 - 5/8 in.)



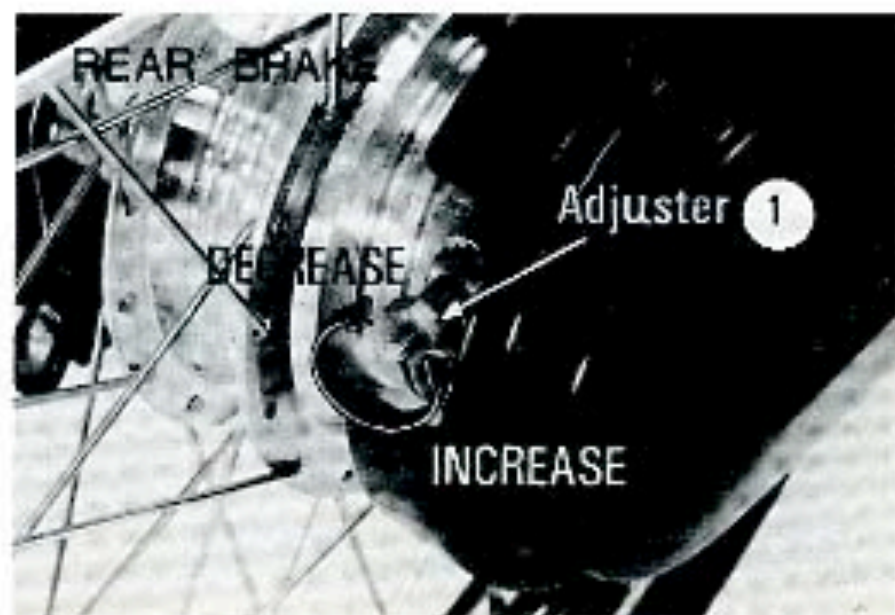
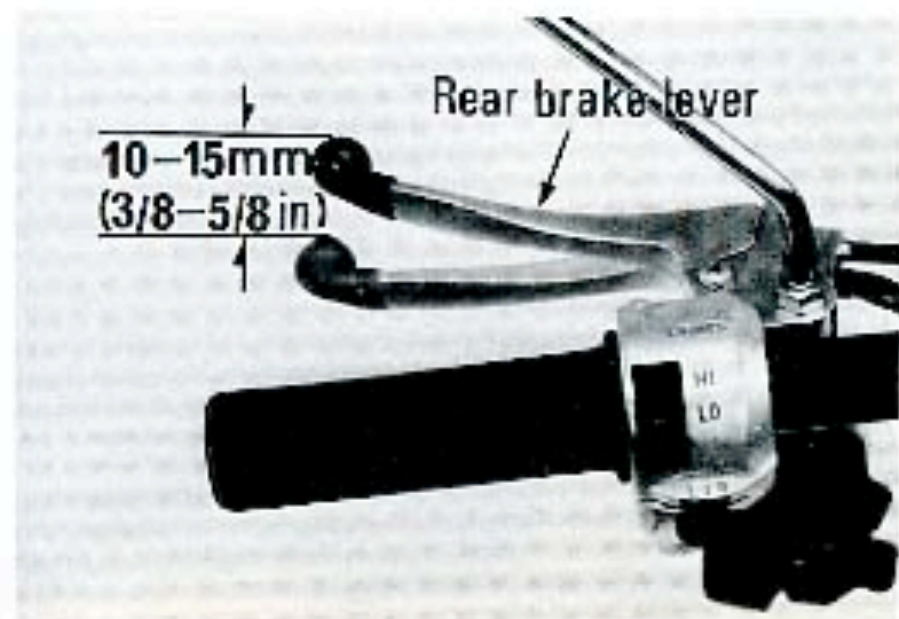
Rear brake

Free play: 10 - 15 mm (3/8 - 5/8 in.)

Adjust rear brake freeplay by turning the adjuster (1).

Other Checks :

Check front and rear brake cables for kinks or signs of wear that could cause sticking or failure. Lubricate the cables with a commercially available cable lubricant to prevent premature wear and corrosion. Make sure the brake arm, spring, and fasteners are in good condition.



Brake Lining

Front

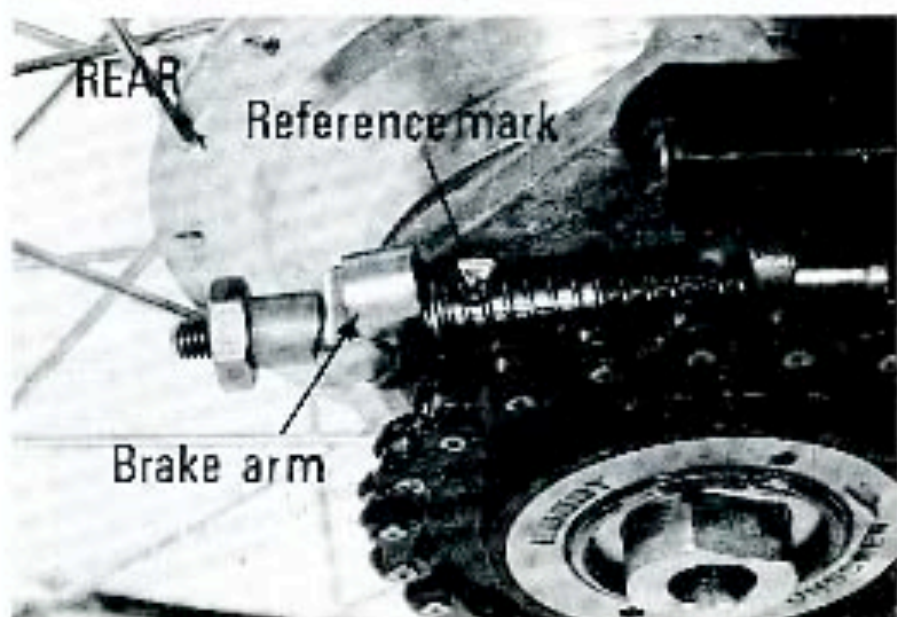
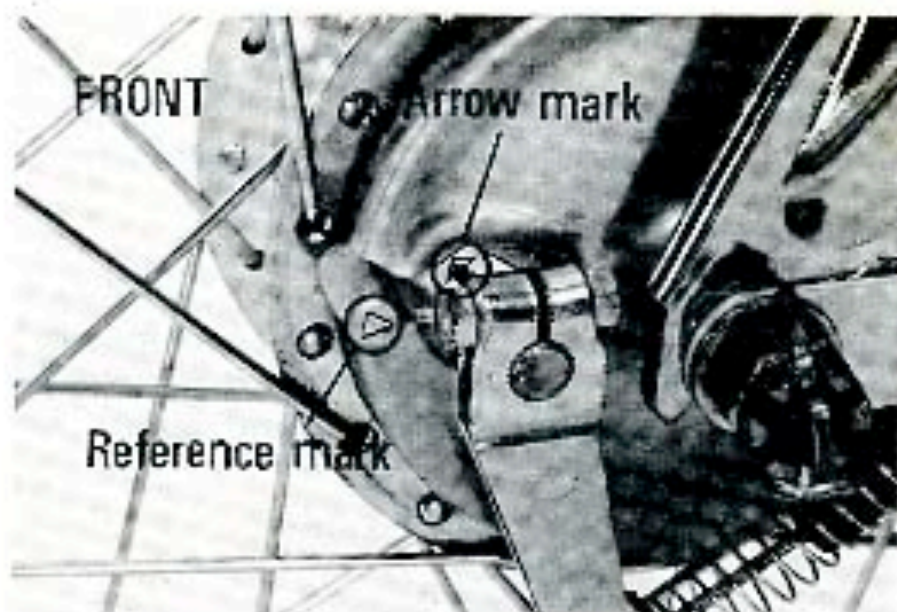
If the arrow aligns with the reference mark on full application of the brake, replace the brake lining.

Rear

Remove the right plastic chain cover. Check rear brake free play and adjust as required (page 35). Look straight down at the reference mark. If the left side of the brake arm aligns with the reference mark without application of the brake, replace the brake lining.

NOTE:

When brake service is necessary, see an authorized Honda dealer, who has been properly trained to perform such service. Use only genuine Honda parts or their equivalent.



Drive Belt Adjustment

Turn the engine off, and put the moped on its centerstand. Remove the side covers by turning the two plastic retainer screws 90°.

The belt should be snug enough to ride 2 mm (0.08 in) below the edge of the driven pulley. If the belt is slack, or if it is more or less than 2 mm from the pulley edge, adjust the belt.

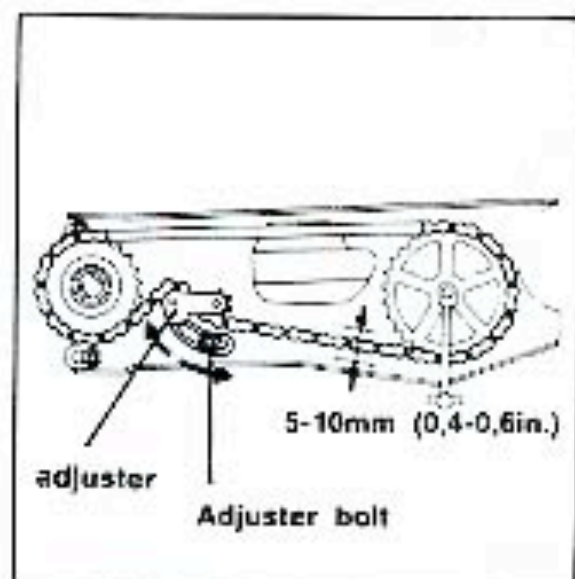
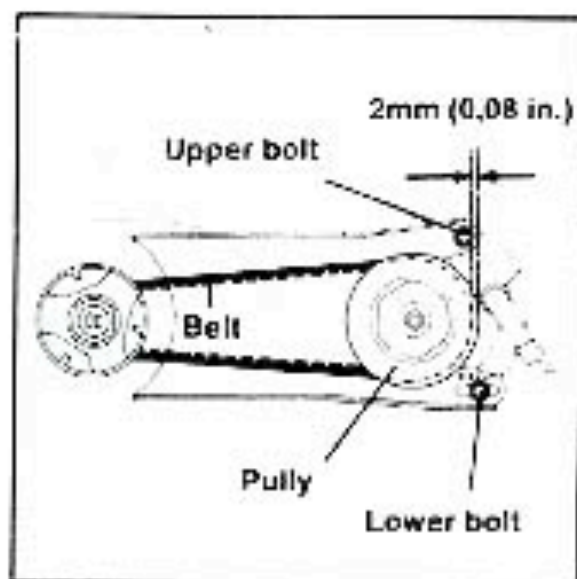
1. Squeeze the belt together in the middle so that it draws 2 mm down into the pulley.
2. Loosen the upper and lower bolts on both sides of the wheel, pull the wheel back until the belt is taut, then tighten all four bolts.

NOTE: The lower bolts must align with the same scale marks on both sides of the swingarm.

3. Rotate the wheel and re-check the belt.
4. Check chain slack and rear brake free play. Adjust if necessary.

Drive Chain Adjustment

Drive chain slack should be 5-10 mm (1/4-3/8 in) at a point midway between the drive sprocket and rear wheel sprocket. Adjust by loosening the drive chain adjuster lock bolt and rotating the adjusters. Tighten the bolt and replace the side covers.



Battery

Battery electrolyte:

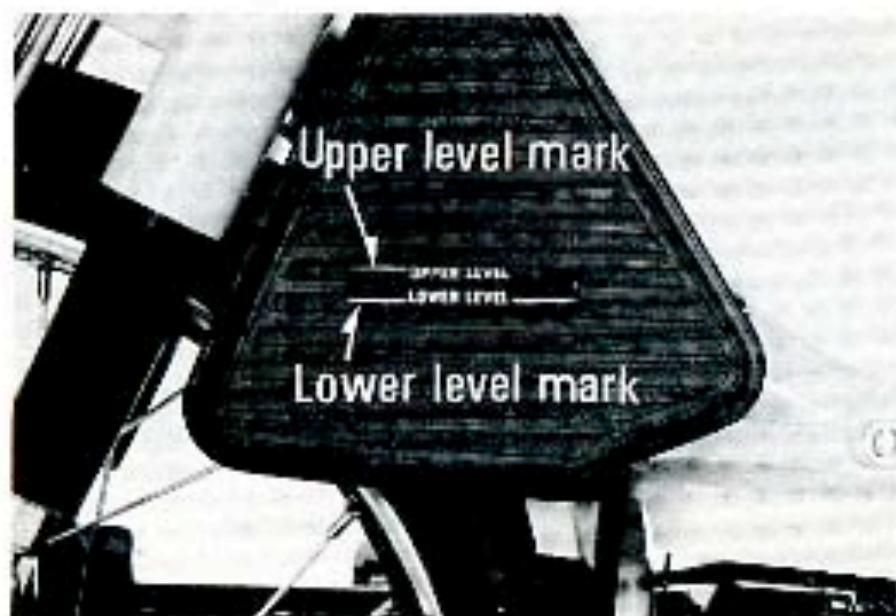
The battery is in the battery box located on the right side of the frame.

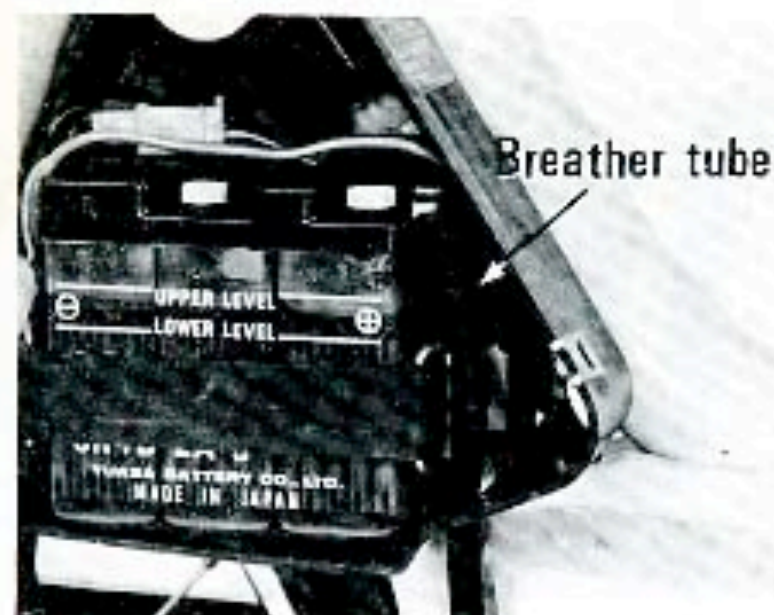
Check the battery electrolyte.

The level must be maintained between the UPPER and LOWER level marks.

If the level is low, remove the battery box cover by removing the screw. Remove the strap, pull the battery out and remove the battery filler caps.

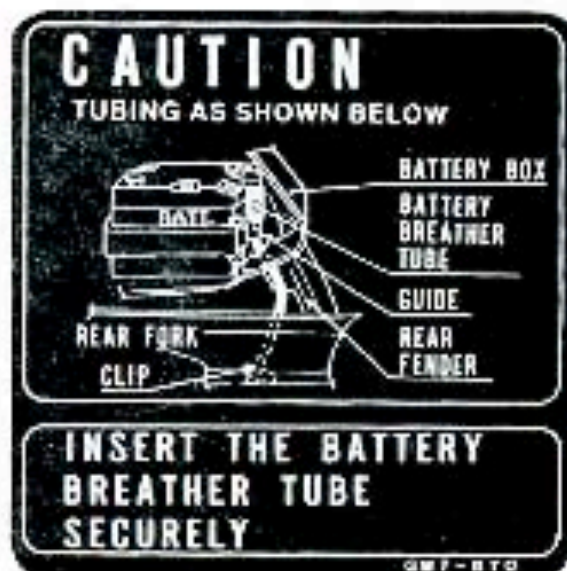
Carefully add distilled water to the upper level mark using a small plastic funnel.





CAUTION:

- * When checking battery electrolyte level or adding distilled water, make sure the breather tube is connected to the battery breather outlet.
- * Use only distilled water in the battery. Tap water may shorten the service life of the battery. Consult your HONDA dealer if you are experiencing an excessively high rate of battery electrolyte loss.



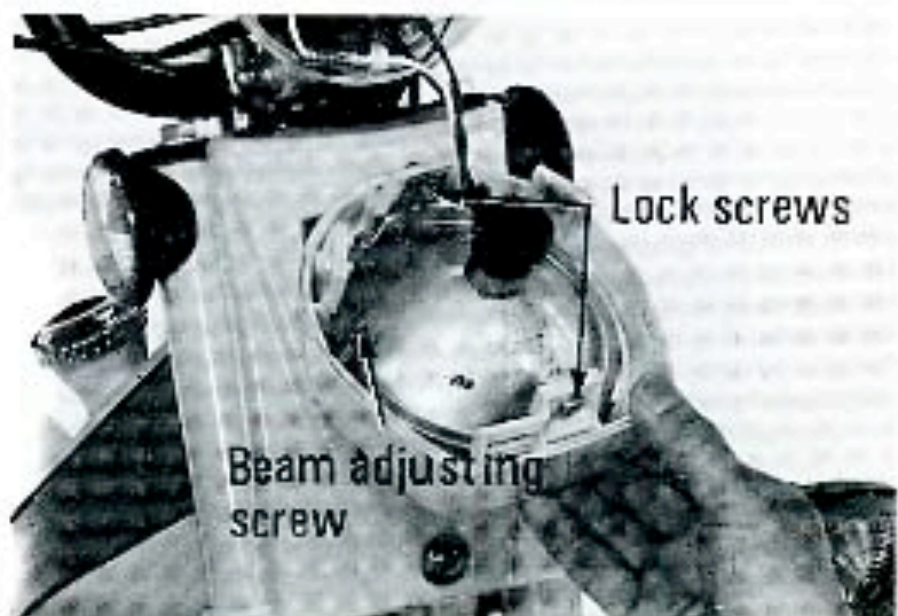
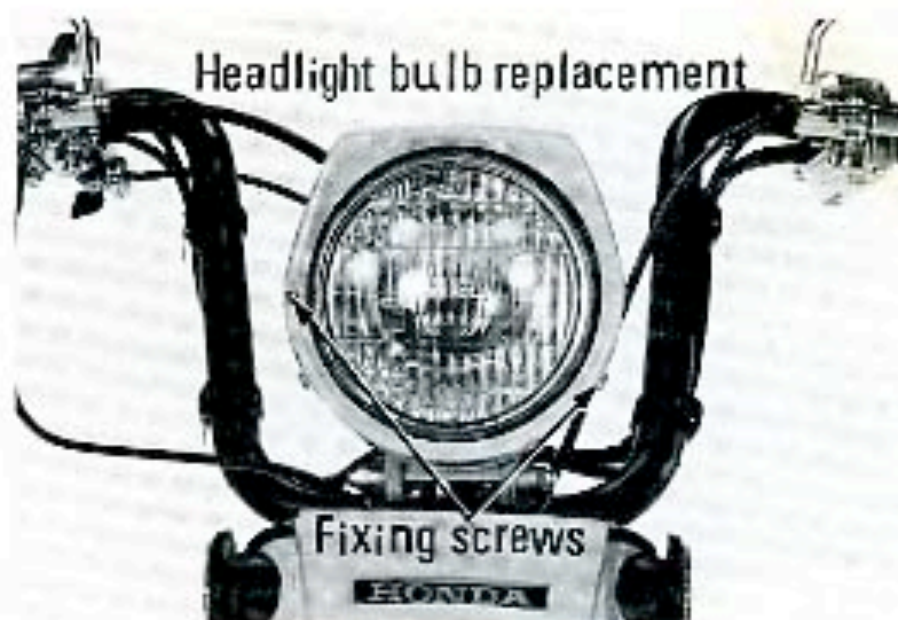
- * The battery contains sulfuric acid. Avoid contact with skin, eyes or clothing. Antidote: EXTERNAL - Flush with water. INTERNAL - Drink large quantities of water or milk. Follow with milk of magnesia, beaten egg or vegetable oil. Call physician immediately. Eyes: Flush with water and get prompt medical attention. Batteries produce explosive gases. Keep sparks, flame, cigarettes away. Ventilate when charging or using in enclosed space. Always shield eyes when working near batteries. KEEP OUT OF REACH OF CHILDREN.

ELECTRICAL EQUIPMENT

Check headlight, tail/stoplight, turn signal light and horn operation.

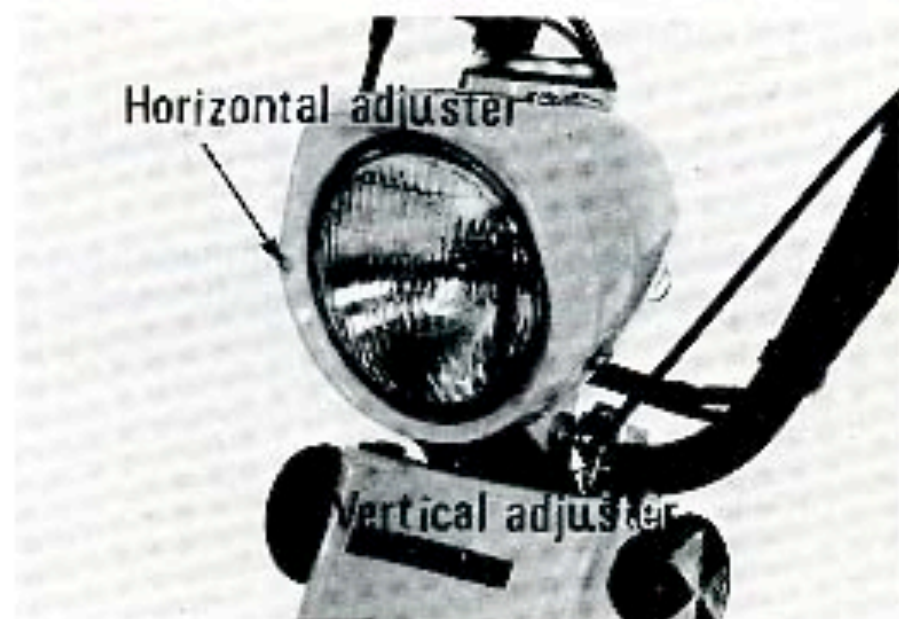
Headlight replacement:

1. Remove the two headlight fixing screws and remove the headlight from the case.
3. Remove the two retaining lock pins and screws from the rim.
3. Remove the beam adjusting screw.
4. Remove the sealed beam unit from the headlight rim.
5. Install a new sealed beam in reverse order of disassembly and check headlight beam adjustment (page 41).



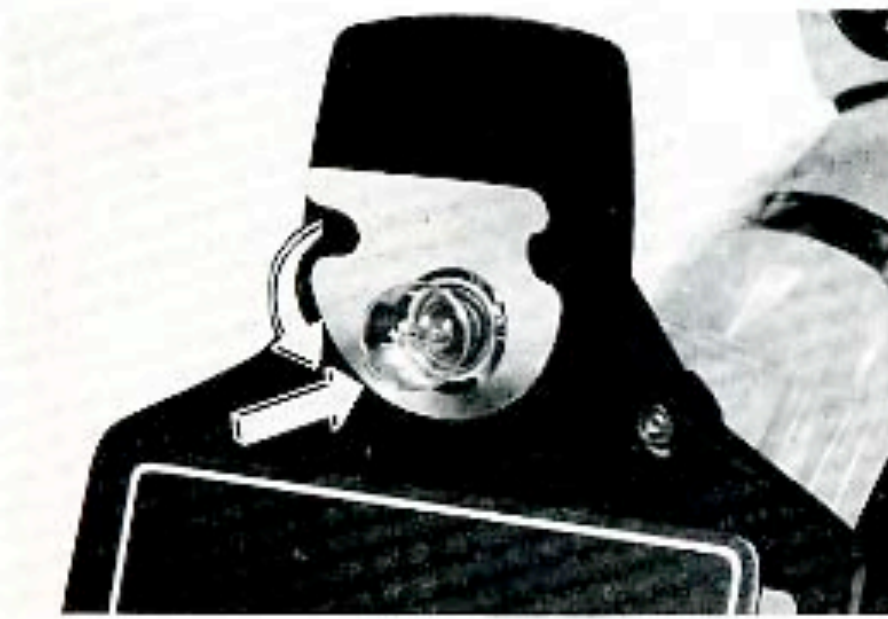
Headlight Beam Adjustment

The headlight must be properly adjusted for safe riding. Be sure the adjustment conforms to local laws and regulations.



Taillight Bulb Replacement

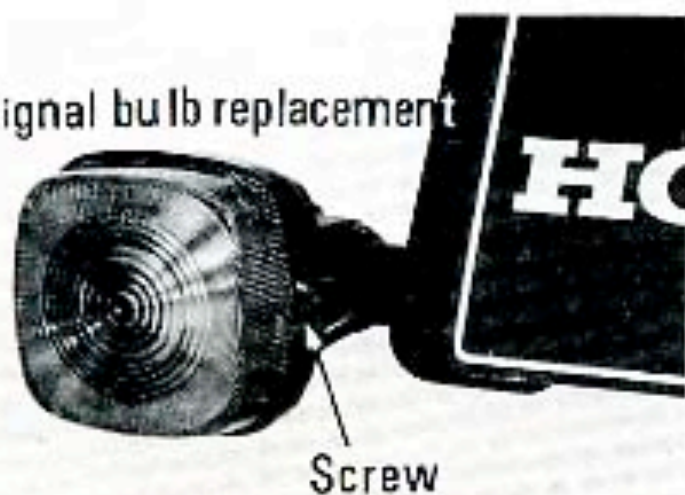
1. Remove the two screws retaining the tail / stoplight lens.
2. Press the bulb inward and twist to the left to remove the bulb.
3. Replace with a new bulb.
4. When installing the tail / stoplight lens, do not overtighten the screws, as this may damage the lens.



Turn Signal Bulb Replacement

1. Remove the screw retaining the turn signal lens.
2. Press the bulb inward and twist to the left to remove.
3. Replace with a new bulb.
4. When installing the turn signal lens, do not overtighten the screw, as this may damage the lens.

Turn signal bulb replacement



Fuse Replacement

The fuse holder (1) is by the battery.
The specified fuse is 10A.

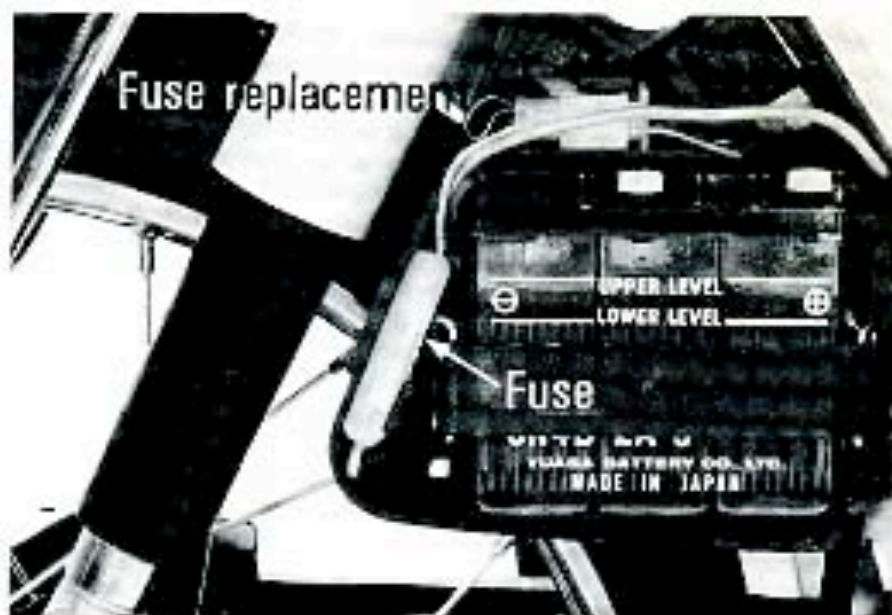
When frequent fuse failure occurs, it usually indicates a short circuit or an overload in the electrical system. In this case, the electrical system should be checked visually for damaged insulation or other possible malfunctions. If the problem cannot be located visually, the motorcycle should be examined by an authorized Honda dealer.

WARNING

- * *Never use a fuse with a different rating from that specified. Serious damage to the electrical system or a fire may result, causing a dangerous loss of lights or engine power at night or in traffic.*

CAUTION:

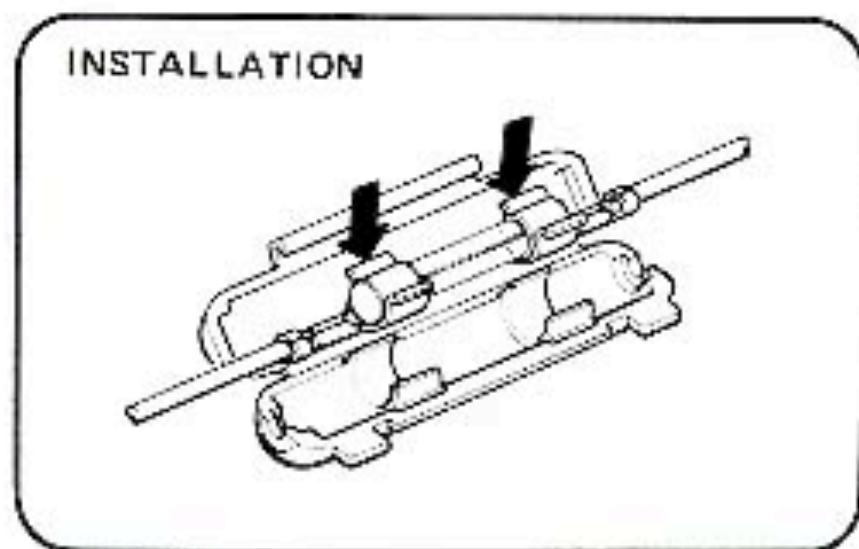
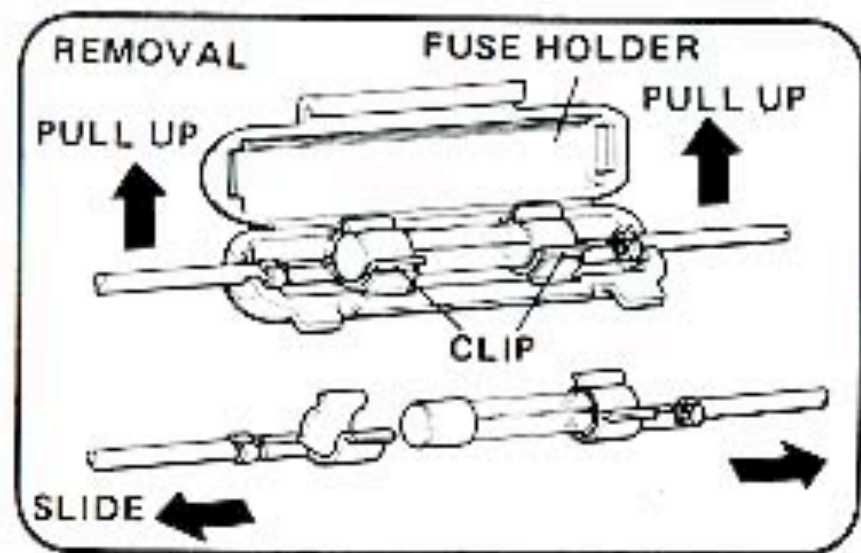
- * *Turn the ignition switch OFF before checking or replacing the fuse to prevent accidental short-circuiting.*



To replace the fuse, open the fuse holder and lift out the fuse with the clips. Slide the old fuse out of the clips and discard it. Slide the clips into the ends of the new fuse, push them back into the fuse holder, and close the fuse holder.

CAUTION:

* Do not pry the clips open to get a fuse out; you could bend them and cause poor contact with the new fuse. A loose fuse could cause damage to the electrical system and even start a fire.

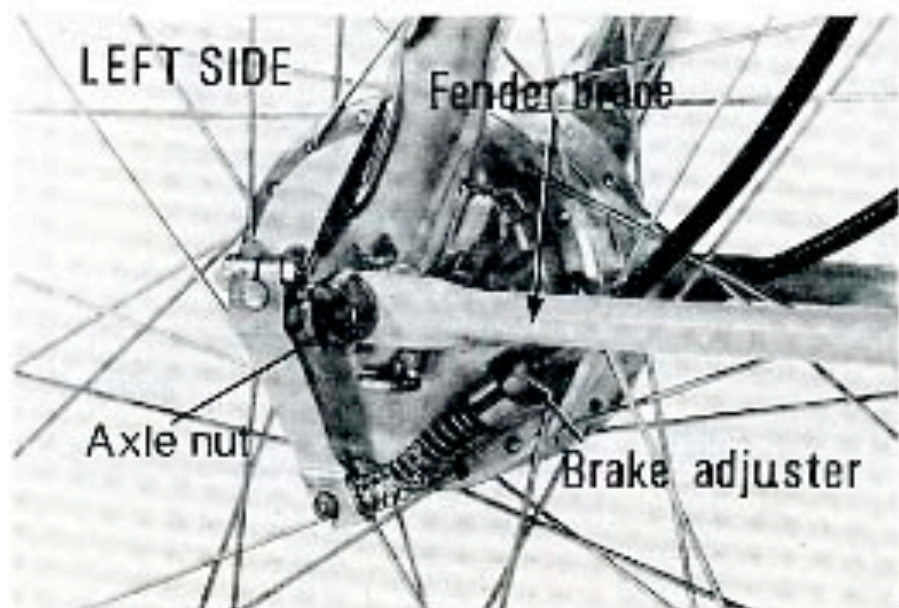
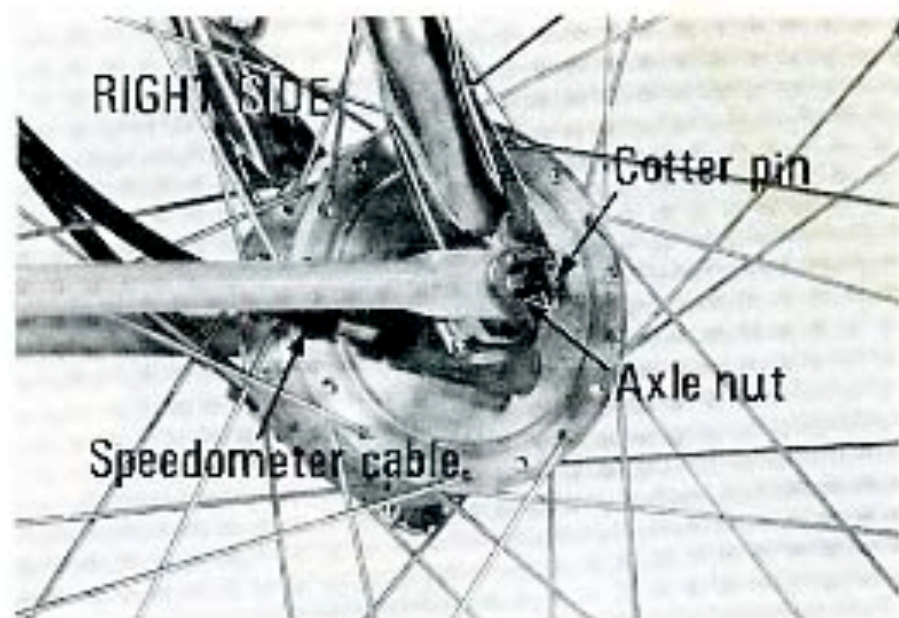


WHEEL REMOVAL

In case of a flat tire, you can remove the entire wheel and take it to a qualified repair facility (refer to TIRES on page 15). Because of the critical nature of wheel attachment, you should proceed to an authorized Honda dealer as soon as possible after repair to verify proper assembly.

Front wheel

1. Remove the cable nut and disconnect the speedometer cable.
2. Turn the brake adjuster completely counter-clockwise and disconnect the brake cable.
3. Pull out the right and left cotter pins.
4. Remove the right and left axle nuts.
5. Spread both fender braces and remove the front wheel.

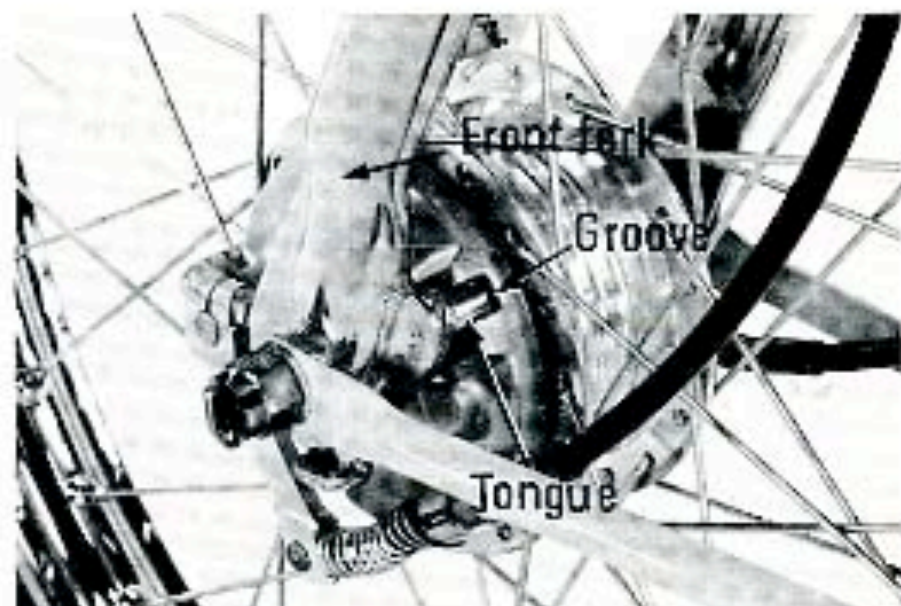


Installation notes:

- Reverse the removal procedure.
When installing the front wheel be sure to fit the left fork leg tongue into the groove in the brake panel.
- Axle nut torque:
35-45 N·m (3.5 - 4.5 kg·m, 25 - 33 ft·lb)
- Adjust the front brake to the correct free play (see page 34)
- Apply the brake several times and check for free wheel rotation when released.

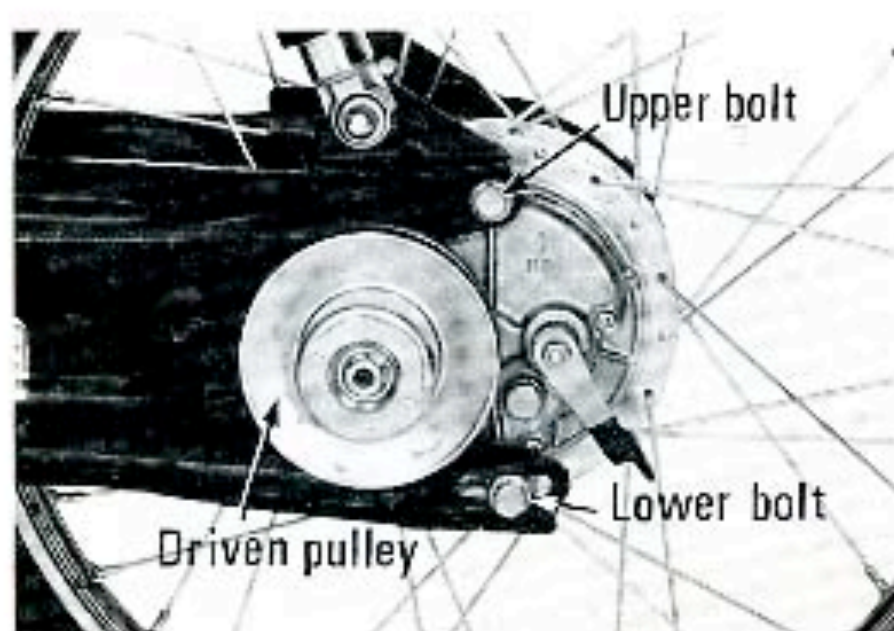
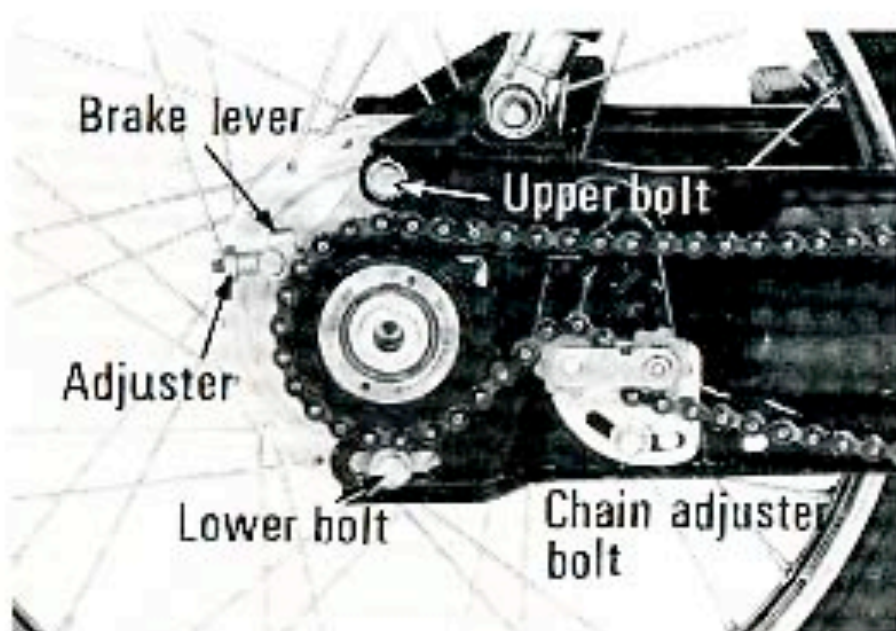
CAUTION:

- * *Always replace used cotter pins with new ones*
- * *If a torque wrench was not used for installation, see your dealer as soon as possible to verify proper assembly.*



Rear wheel

1. Remove the right and left covers.
2. Remove the rear brake adjusting nut and remove the brake rod from the brake lever.
3. Loosen the chain adjuster bolt and remove the chain.
4. Remove the right and left upper and lower bolts.
5. Remove the belt from the driven pulley.
6. Remove the rear wheel.



Installation Notes:

- Reverse the removal procedure.
Upper bolt torque:
20 - 25 N - m (2.0 - 2.5 kg - m, 14 - 18 ft - lb)
Lower bolt torque:
20 - 25 N - m (2.0 - 2.5 kg - m, 14 - 18 ft - lb)
- Adjust brake lever free play (see page 35).
- Apply the brake several times and check for free wheel rotation when released.

CAUTION:

- * *Always replace used cotter pins with new ones.*

WARNING

- * *If a torque wrench was not used for installation, see your dealer as soon as possible to verify proper assembly.*

STORAGE

Storage for more than a month, or winter storage requires preventive maintenance to prevent corrosion and deterioration of the fuel, tires and battery.

See your authorized Honda dealer for this service.

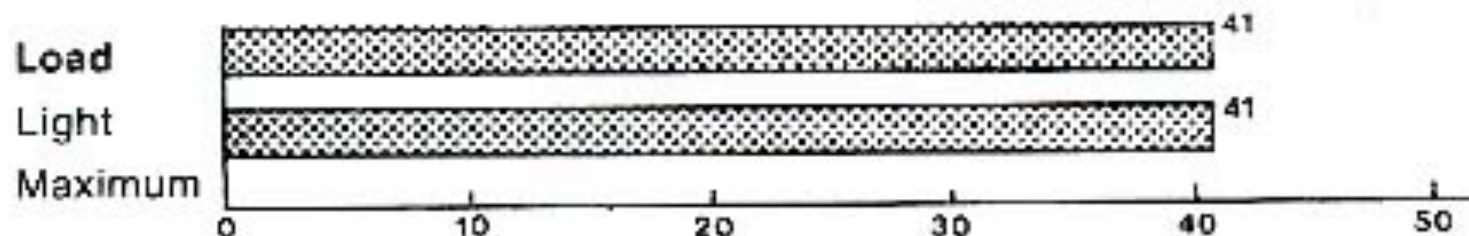
CONSUMER INFORMATION

VEHICLE STOPPING DISTANCE

This figure indicates braking performance that can be met or exceeded by the vehicles to which it applies, without locking the wheels under different conditions of loading. The information presented represents results obtainable by skilled riders under controlled road and vehicle conditions, and the information may not be correct under other conditions.

Description of vehicles to which this table applies: **HONDA PA50**

Fully Operational Service Brake



Stopping Distance in Feet from 29.5 mph *

* The maximum speed attainable by accelerating at maximum rate from a standing start for one mile.

SPECIFICATIONS

DIMENSIONS Overall length Overall width Overall height Wheelbase	1,725 mm (67.9 in) 620 mm (24.5 in) 1,055 mm (41.5 in) 1,065 mm (42.0 in)
WEIGHT Dry weight	54 kg (119 Lbs)
CAPACITIES Fuel tank Fuel reserve tank Passenger capacity Vehicle load limit	3.0 liter (0.79 US gal., 0.66 Imp gal.) 0.6 liter (0.16 US gal., 0.13 Imp gal.) Operator only, No passengers 82 kg (180 lbs)

POWER TRANSMISSION Primary reduction Gear ratio, I II Final reduction	V-Belt 1.80 1.06 12.462
ELECTRICAL Battery Generator	6 V - 4 AH A.C. generator 6 V 47.5 w/5000 rpm
FUSE	10 amp
LIGHTS Headlight Tail/stoplight Turn signal light Instrument light Turn signal indicator light High beam indicator light	6 V - 15/15 W 6 V - 5.3/25 W - 3/32 cp 6 V - 18/18 W - 21/21 cp 6 V - 1.7 W - 1 cp 6 V - 1.7 W - 1 cp 6 V - 1.7 W - 1 cp

OWNER SATISFACTION

Your satisfaction and goodwill are important to your dealer and to us. Normally, any problems with the operation of your vehicle will be handled by your dealer's Service Department. Sometimes, however, despite the best intentions of all concerned, misunderstandings can occur. If your problem has not been handled to your satisfaction, we suggest you take the following action:

- Discuss your problem with a member of dealership management. Often complaints can be quickly resolved at that level. If the problem has already been reviewed with the Service Manager, contact the owner of the dealership or the General Manager.
- If your problem still has not been resolved to your satisfaction, contact the Motorcycle Customer Service Department, AMERICAN HONDA MOTOR CO., INC. 100 West Alondra Boulevard, Gardena, California 90247 (213) 327-8280, and provide them with:
 - Your name, address and telephone number
 - Vehicle frame number
 - Dealer's name and location
 - Vehicle delivery date and present mileage
 - Nature of problem

After reviewing all the facts involved, you will be advised of what action can be taken. Please bear in mind that your problem will likely be resolved in the dealership, using the dealer's facilities, equipment and personnel. So it is very important that your initial contact be with the dealer.

Your purchase of a Honda product is greatly appreciated by both your dealer and American Honda Motor Co., Inc. We want to assist you in every way possible to assure your complete satisfaction with your purchase.



HONDA BENELUX N. V.

3148383

Printed in Belgium